

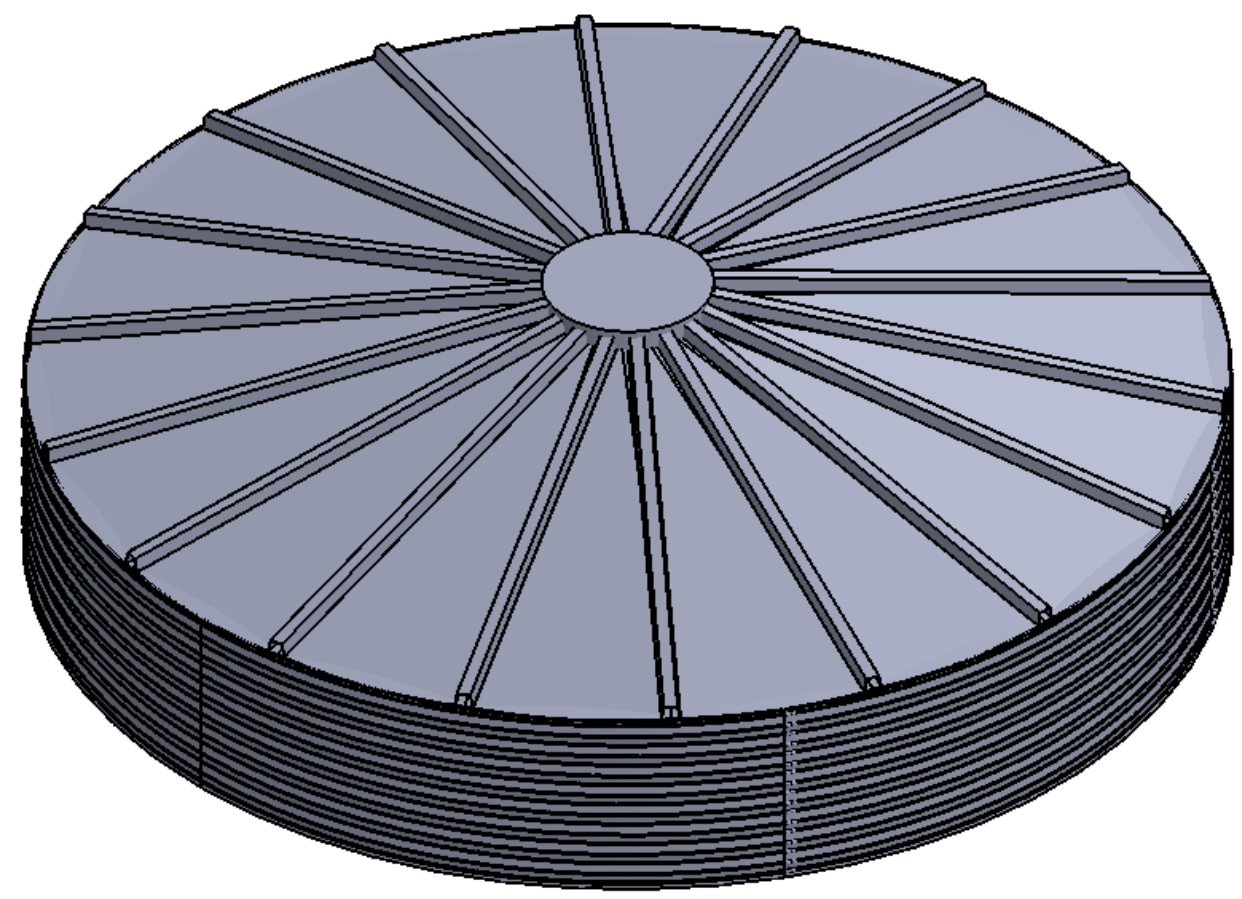
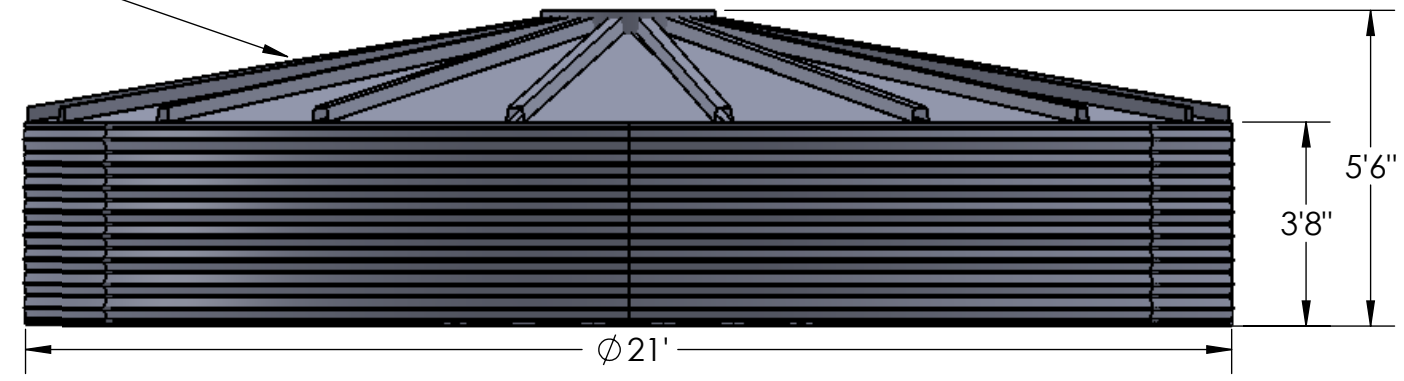
8 7 6 5 4 3 2 1

NOTES:  
1. NOMINAL CAPACITY: 9400 U.S. GALLONS

D  
C  
B  
A

D  
C  
B  
A

10° ROOF CONFIGURATION



8 7 6 5 4 3 2 1

PROPRIETARY AND CONFIDENTIAL  
THE INFORMATION CONTAINED IN THIS  
DRAWING IS THE SOLE PROPERTY OF  
CONTAIN WATER SYSTEMS. ANY  
REPRODUCTION IN PART OR AS A WHOLE  
WITHOUT THE WRITTEN PERMISSION OF  
CONTAIN WATER SYSTEMS IS  
PROHIBITED.

UNLESS OTHERWISE SPECIFIED:			
DIMENSIONS ARE IN INCHES	DRAWN	NAME	DATE
TOLERANCES:	CHECKED	AP	9.28.18
FRACTIONAL ± 1/16"	ENG APPR.		
ANGULAR: MACH ± .5° BEND ± .5°	MFG APPR.		
TWO PLACE DECIMAL ± .02"	Q.A.		
THREE PLACE DECIMAL ± .005"	COMMENTS:	SALES DRAWING-TANK GENERAL ARRANGEMENT	
INTERPRET GEOMETRIC TOLERANCING PER: ASME Y14.5			
MATERIAL MIXED			
FINISH N/A			
DO NOT SCALE DRAWING			



TITLE:  
**GENERAL ARRANGEMENT  
CGS 21'  
1 TIER**

SIZE <b>B</b>	DWG. NO. <b>CGS-2101-10</b>	REV <b>1</b>
------------------	--------------------------------	-----------------

SCALE: 1:40 WEIGHT: 1384 LBS SHEET 1 OF 1