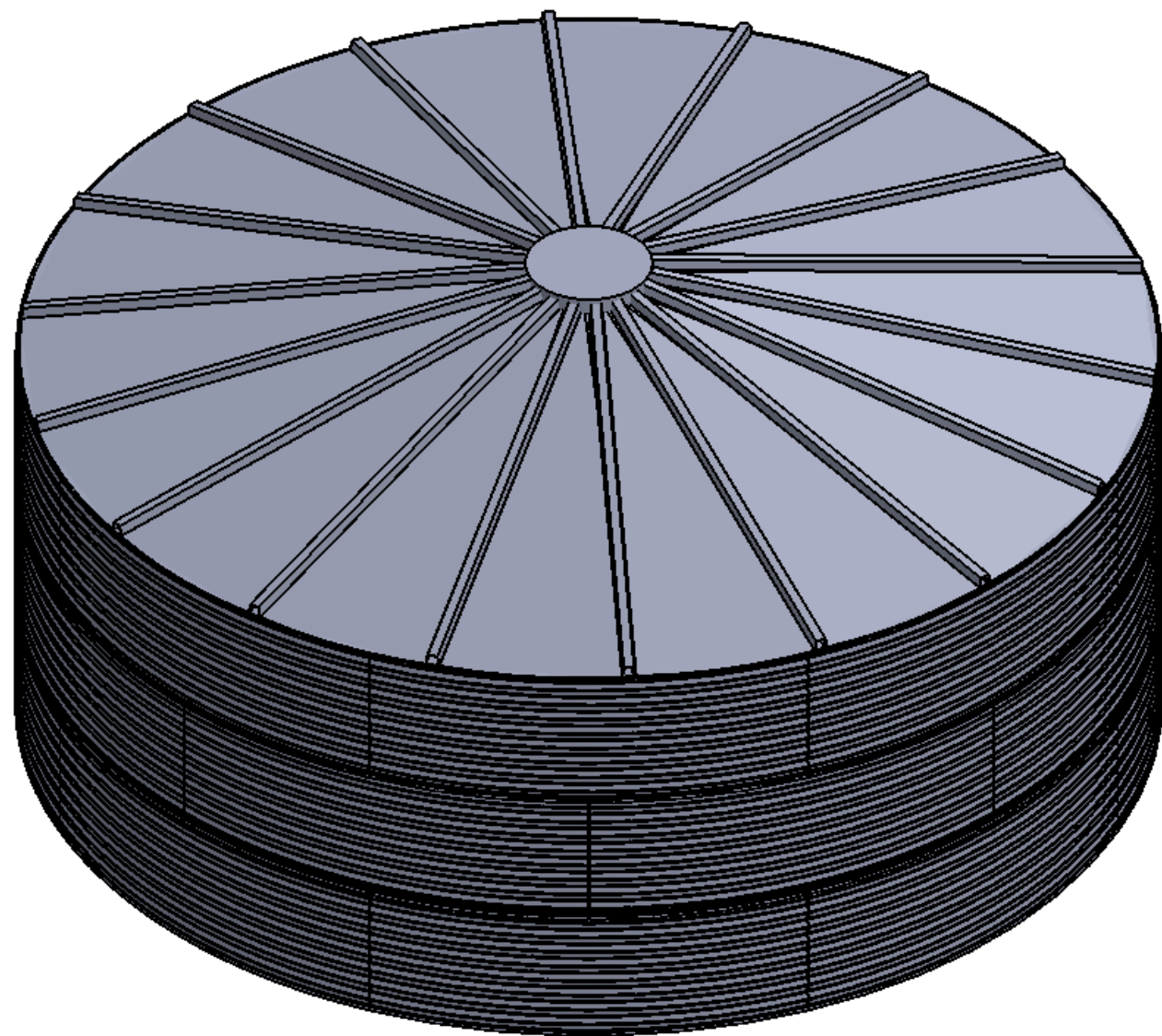
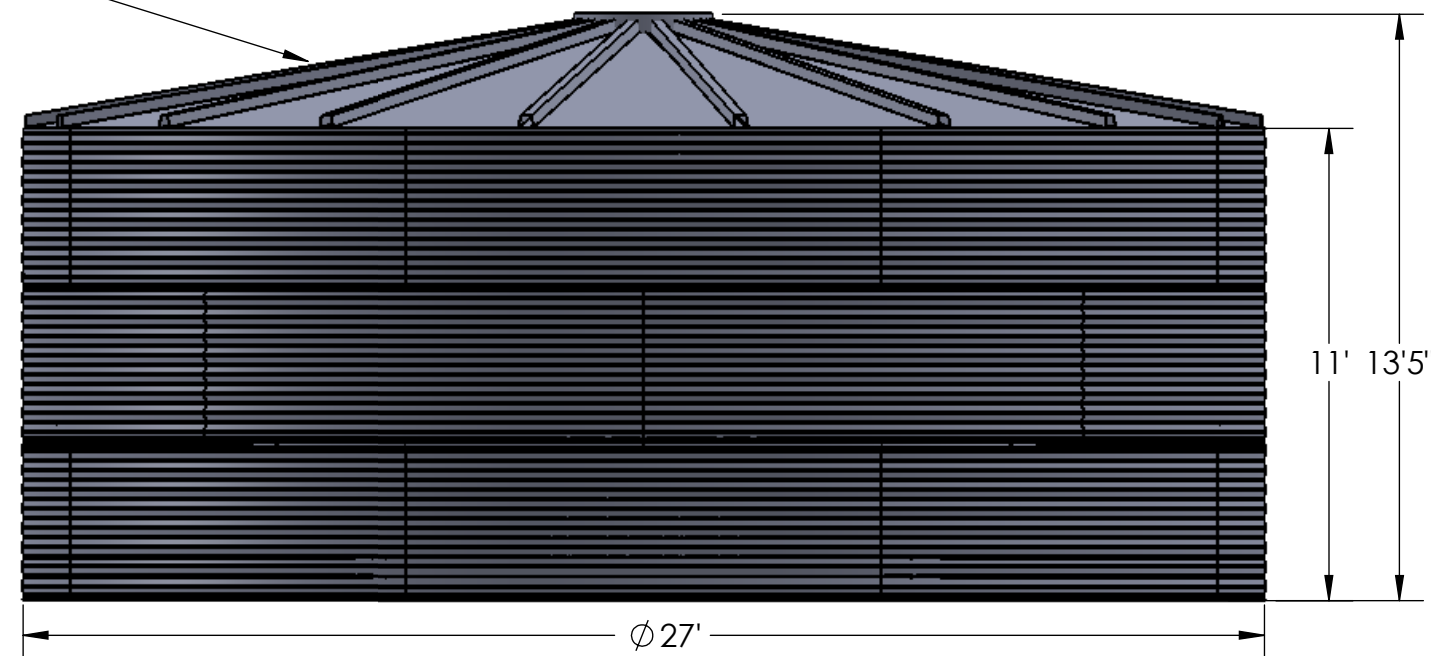



NOTES:  
 1. NOMINAL CAPACITY: 46617 U.S. GALLONS



10° ROOF CONFIGURATION



UNLESS OTHERWISE SPECIFIED:		NAME	DATE		
DIMENSIONS ARE IN INCHES		DRAWN	AP		9.28.18
TOLERANCES:		CHECKED			
FRACTIONAL ± 1/16"		ENG APPR.			
ANGULAR: MACH ± .5° BEND ± .5°		MFG APPR.			
TWO PLACE DECIMAL ± .02"		Q.A.			
THREE PLACE DECIMAL ± .005"		COMMENTS:	SALES DRAWING-TANK GENERAL ARRANGEMENT		
PROPRIETARY AND CONFIDENTIAL THE INFORMATION CONTAINED IN THIS DRAWING IS THE SOLE PROPERTY OF CONTAIN WATER SYSTEMS. ANY REPRODUCTION IN PART OR AS A WHOLE WITHOUT THE WRITTEN PERMISSION OF CONTAIN WATER SYSTEMS IS PROHIBITED.		INTERPRET GEOMETRIC TOLERANCING PER: ASME Y14.5			
MATERIAL		MIXED			
FINISH		N/A			
DO NOT SCALE DRAWING					
TITLE:		GENERAL ARRANGEMENT			
		CGS 27'			
		3 TIER			
SIZE	DWG. NO.	REV			
B	CGS-2703-10	1			
SCALE: 1:50		WEIGHT: 3973 LBS		SHEET 1 OF 1	