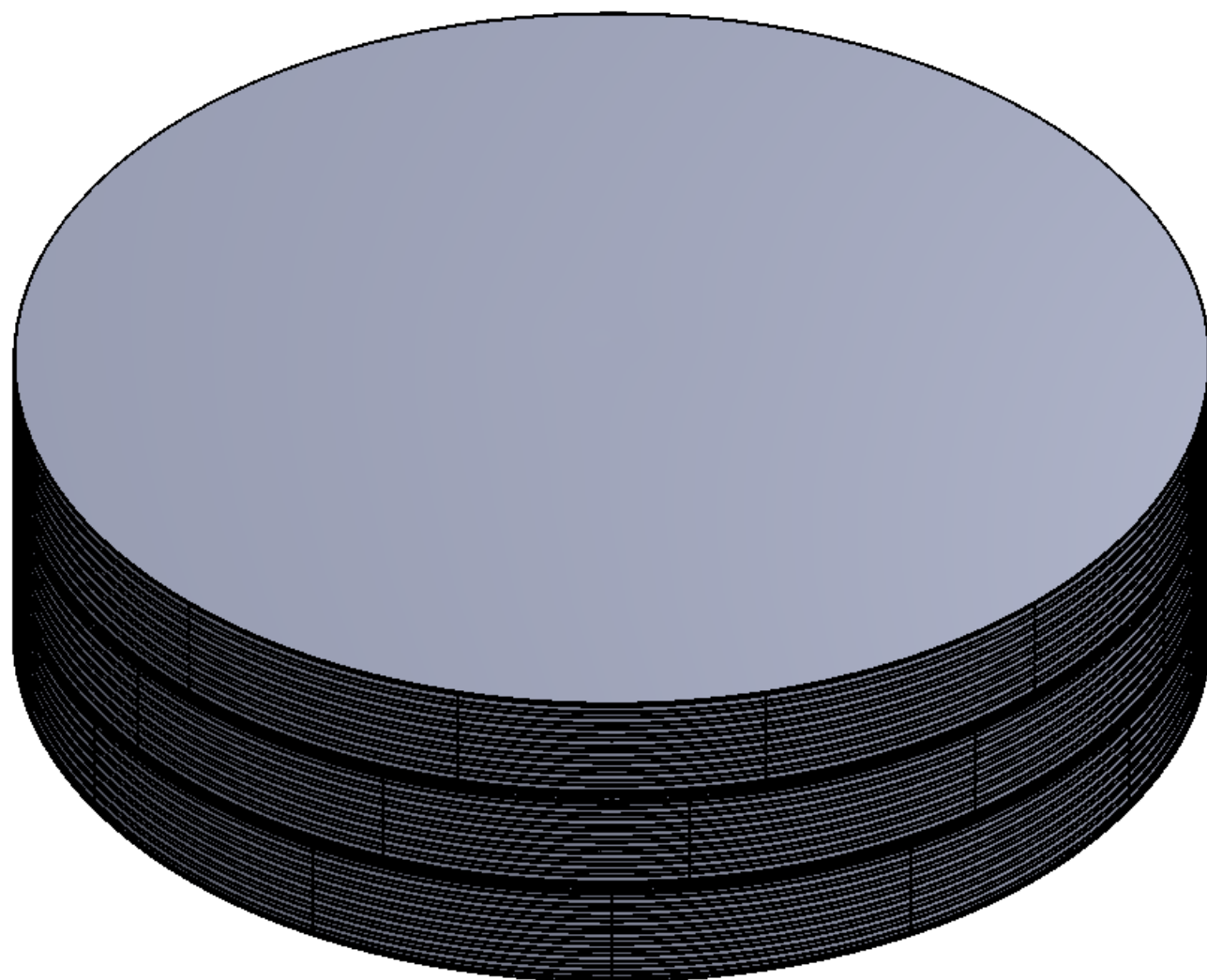
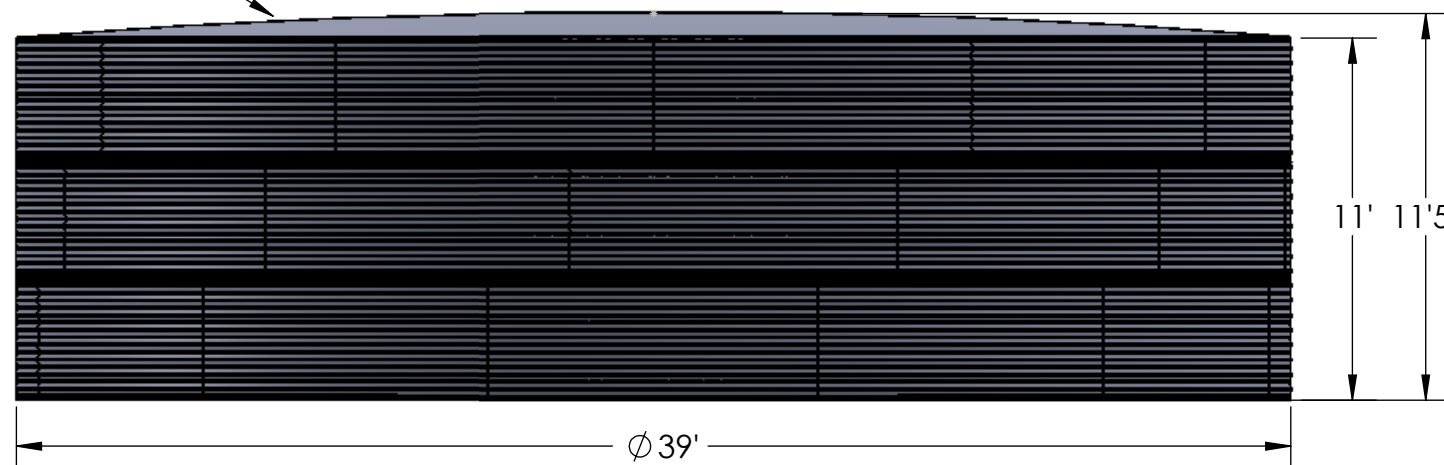



NOTES:
 1. NOMINAL CAPACITY: 97262 U.S. GALLONS



DOME ROOF CONFIGURATION



UNLESS OTHERWISE SPECIFIED:		NAME	DATE		
DIMENSIONS ARE IN INCHES		DRAWN	AP		9.27.18
TOLERANCES:		CHECKED			
FRACTIONAL ± 1/16"		ENG APPR.			
ANGULAR: MACH ± .5° BEND ± .5°		MFG APPR.			
TWO PLACE DECIMAL ± .02"		Q.A.			
THREE PLACE DECIMAL ± .005"		COMMENTS:			
PROPRIETARY AND CONFIDENTIAL THE INFORMATION CONTAINED IN THIS DRAWING IS THE SOLE PROPERTY OF CONTAIN WATER SYSTEMS. ANY REPRODUCTION IN PART OR AS A WHOLE WITHOUT THE WRITTEN PERMISSION OF CONTAIN WATER SYSTEMS IS PROHIBITED.		INTERPRET GEOMETRIC TOLERANCING PER: ASME Y14.5		TITLE: GENERAL ARRANGEMENT CGS 39' 3 TIER	
MATERIAL	MIXED	SALES DRAWING-TANK GENERAL ARRANGEMENT		SIZE B	
FINISH	N/A			DWG. NO. CGS-3903-D	
DO NOT SCALE DRAWING				REV 1	
		SCALE: 1:65 WEIGHT: 7456 LBS		SHEET 1 OF 1	